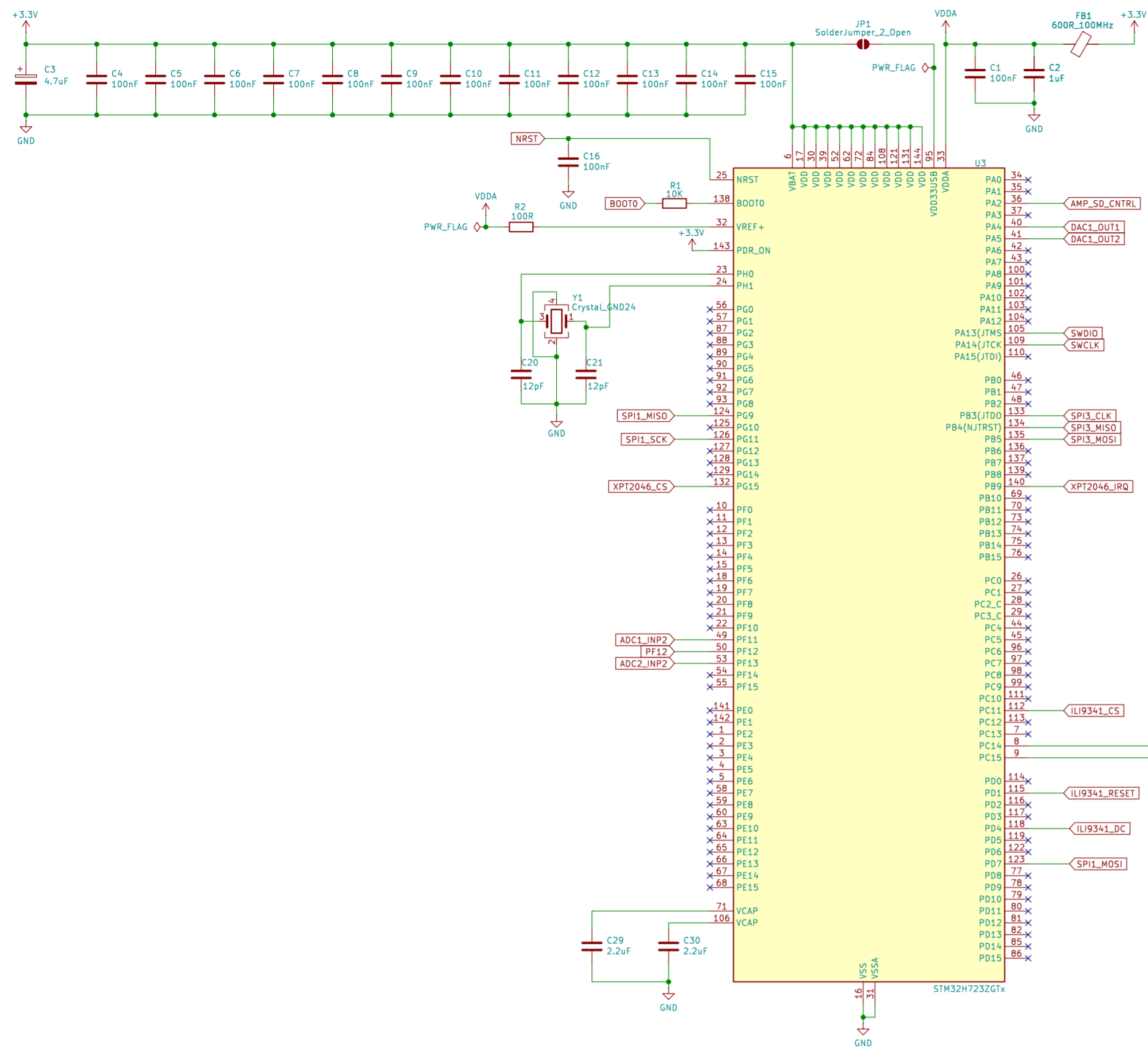
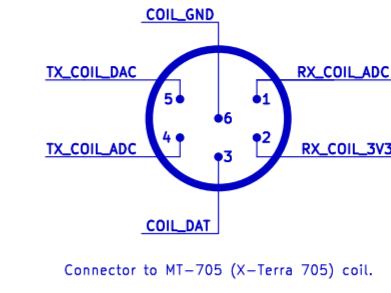


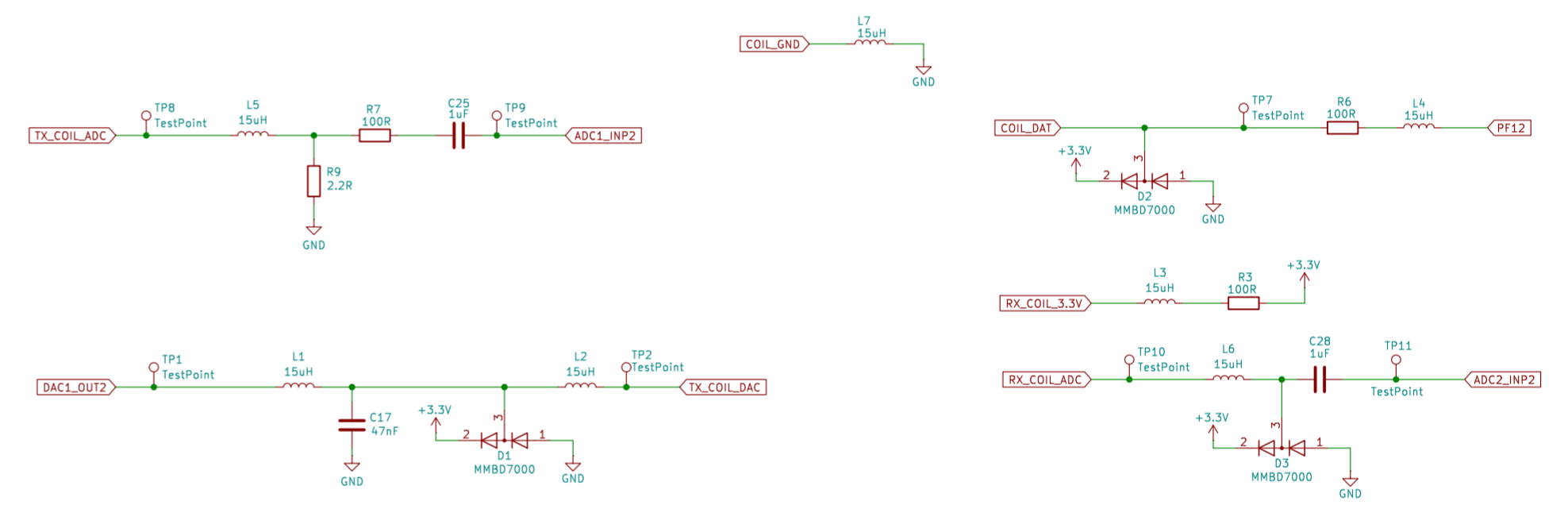
MCU BASIC CIRCUIT



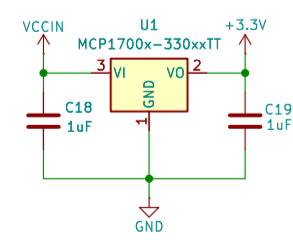
COIL CONNECTOR SCHEME



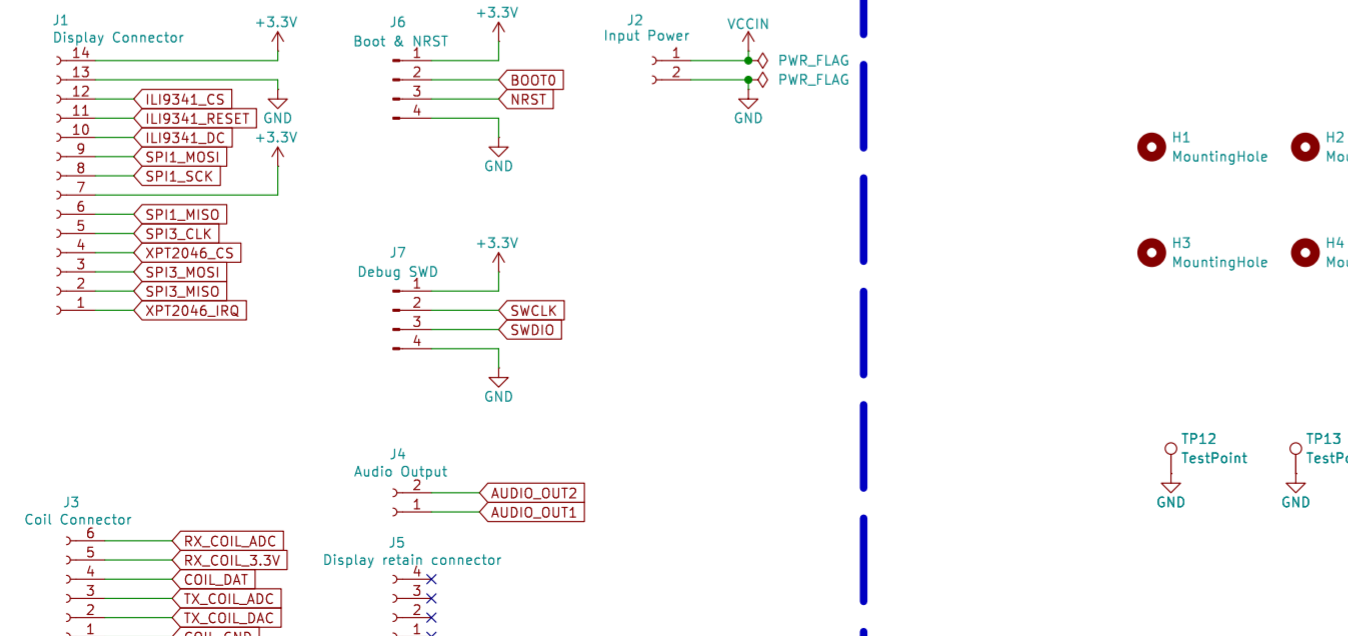
COIL MATCHING CIRCUIT



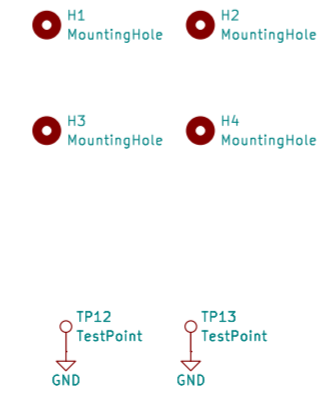
LDO 3.3V



CONNECTORS



MOUNTING HOLES & GND TEST POINTS



AUDIO AMPLIFIER

